


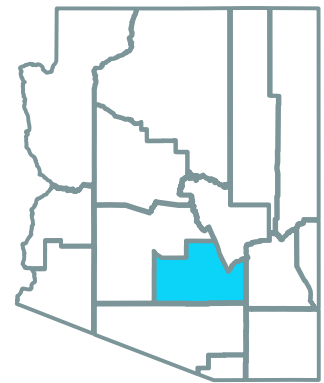


# Flatland Energy Storage

Pinal County, Arizona

-  Installed capacity: **200 MW/800 MWh**
-  Estimated commercial operation: **2025**
-  Installed capacity will be equivalent to the average consumption of more than **44,500 Arizona homes**.<sup>1</sup>



The Flatland Energy Storage Project is located in south-central Arizona in the city of Coolidge. The project is located within the Brittlebush Solar Park. The project will yield economic benefits to the community in the form of payments to local government, local spending, and annual community investment.

## Economic benefits



**\$20 million**  
Total economic impact



**\$19.2 million**  
Revenue for public services



**\$1.3 million**  
Local spending



**2 jobs**  
Permanent



**140 jobs**  
Construction

### Energy security

Energy storage at the site will support Arizona's electric grid while contributing to national energy security by providing flexible, on demand power.

### Environment and energy storage

Energy storage facilities are designed to release no pollutants into the air, soil, or waterways. Like the batteries found in everyday handheld devices, lithium-ion batteries emit no electromagnetic fields and contain no radioactive materials.

### Energy storage safety

Lithium-ion batteries used in energy storage are already a part of daily life — found in cell phones, laptops, and power tools. These facilities are highly regulated to ensure the safety of neighbors and communities.



## Flatland's environmental impact

The energy storage project will save more than **169 million gallons** of water each year and would prevent the air pollution that causes smog and acid rain.<sup>4</sup>



## How is energy storage useful?



Reduces outages & enhances resilience



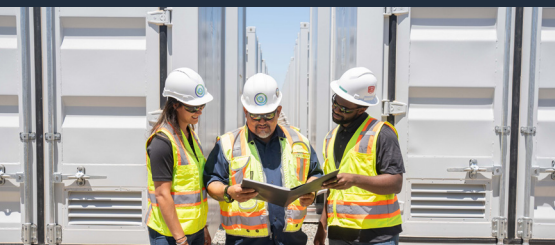
Reduces costs and saves money



Builds a stronger, more efficient grid

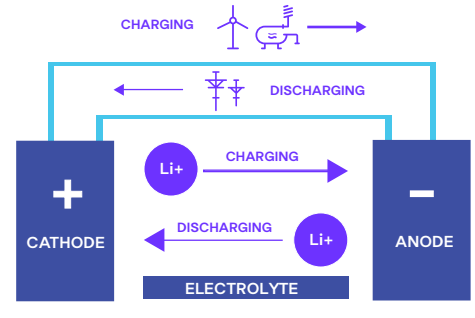


Supports local economies



## How energy storage works

The most common electrochemical storage method is the lithium-ion battery. These are similar to the batteries that power your cell phones, or laptops. Energy storage systems are fuel-neutral. This means that they can capture and dispense electricity from oil, gas, coal, nuclear, geothermal, and EDP Renewables North America's wind and solar energy projects.



Energy storage enhances reliability, reduces costs, and increases grid resilience.

## Grid stability

Energy storage systems allow excess energy, from power plants or the grid, to be stored during off-peak times, and used during times of high demand, including during extreme weather when power generation is limited. Keeping the power on, air-conditioning or heating systems operating, medical systems functioning, and other critical infrastructure working, will help keep people safe and healthy during otherwise vulnerable circumstances.

Scan the QR Code to explore educational resources on renewables and how we are empowering local economies, as well as meeting the energy demand of today.



Scan the QR Code using the camera on your mobile device.

<sup>1</sup>The cost and performance of the battery systems are based on an assumption of approximately one cycle per day. Therefore, a 4-hour device has an expected capacity factor of 16.7% (4/24 = 0.167). Household consumption based on 2023 EIA Household Data monthly average consumption by state. This assumes that all energy is stored from a renewable source and discharged at the grid average.

<sup>2</sup> Assumes the average cost of an installed solar photovoltaic system is \$0.345/watt for a utility-scale project. Based on 2021 National Renewable Energy Laboratory Report.

<sup>3</sup> Full-time equivalent jobs calculated by dividing number of contractor hours worked during construction by 2080.

<sup>4</sup> Assumes 0.58 gallons of water consumed per kWh of conventional electricity from Lee, Han, & Elgowainy, 2016. This assumes that all energy is stored from a renewable source and discharged at the grid average.

## About us

EDP Renewables North America LLC (EDPR NA), its affiliates, and its subsidiaries develop, construct, own, and operate wind farms and solar parks throughout North America. Headquartered in Houston, Texas, with 61 wind farms, 26 solar parks, and eight regional offices across North America, EDPR NA has developed more than 12,000 megawatts (MW) and operates more than 11,400 MW of onshore utility-scale renewable energy projects. With more than 1,000 employees, EDPR NA's highly qualified team has a proven capacity to execute projects across the continent.

For more information, visit [www.edprnorthamerica.com](http://www.edprnorthamerica.com)

## EDP Renewables North America Western Regional Office

710 NW 14<sup>th</sup> Avenue, Suite 250  
Portland, OR 97209

281.393.7237

[FlatlandEnergyStorage@edpr.com](mailto:FlatlandEnergyStorage@edpr.com)